

HANDHELD LASERS**ANSER**

GAN005XXX

**532nm**

Nominal Wavelength

CW

Output Type

DPSS

Laser Source Type

The Anser is Laserglow's latest addition to the green laser pointer line-up. The pointer does not include a pocket clip or any glossy finishes, the flat black finish gives the Anser a tactical, utilitarian look and feel. The Anser is our lowest-priced green laser pointer and comes in one power level, a guaranteed 3 to 5m W.

All of Laserglow's green laser pointers are IR-filtered for safety and employ APC technology to maintain constant output power. APC (Automatic Power Control) is a system that uses an optical feedback loop to ensure stable laser output.

KEY FEATURES

Output Power: 3.0 mW - 5.0mW

Wavelength: 532 nm (green)

Key Feature: Flat black finish, no pocket clip

Casing: Solid Brass

Package Includes: Portable laser, batteries, carrying case, instructions/warranty.

Safety Info: Complies with Class IIIa regulations.

Duty Cycle: 90 sec. on/20 sec. off

SPECIFICATIONS

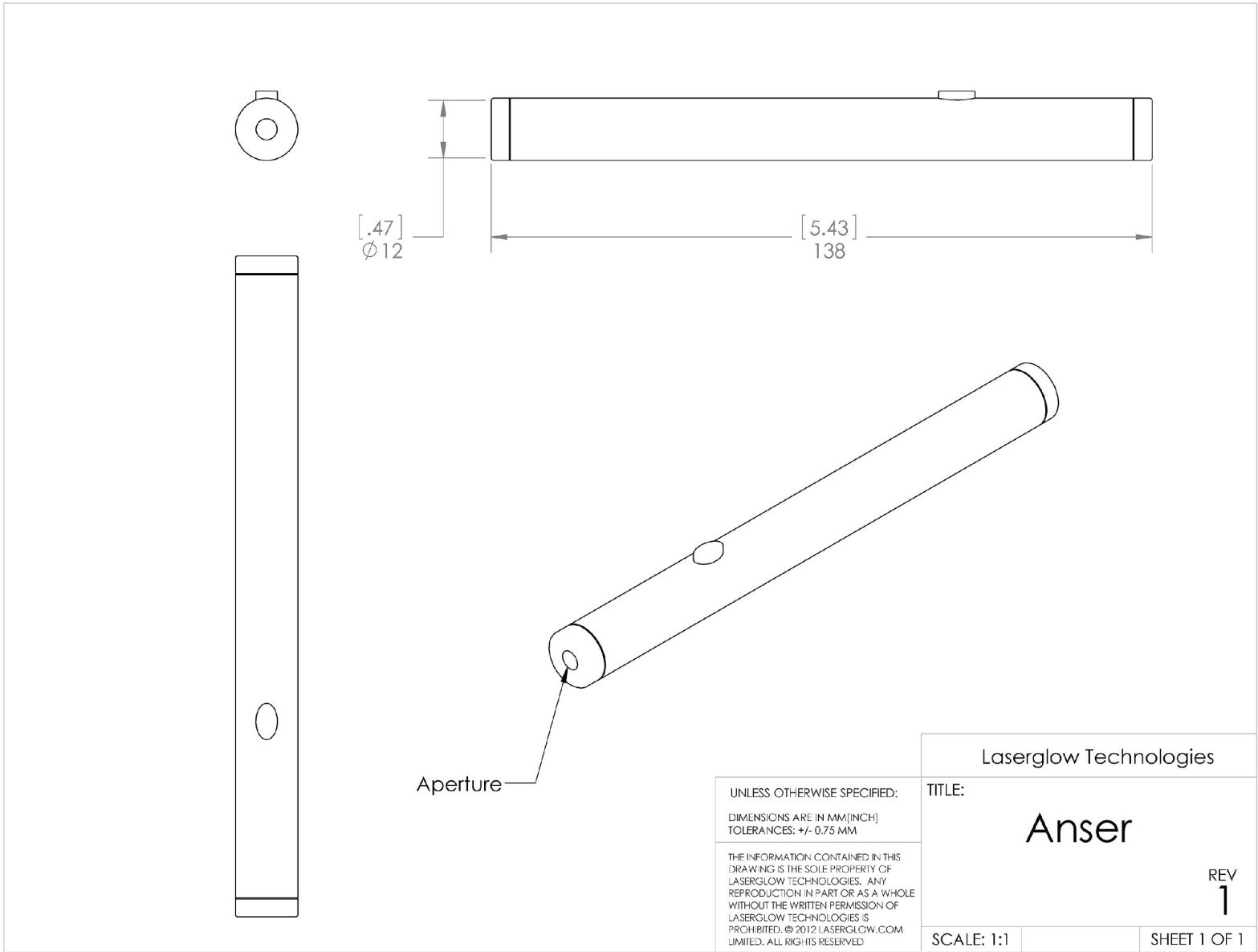
Laser Form Factor	GAN
Output Power (mW)	<5
FDA Safety Class	IIIa
Central Wavelength (nm)	531.65
Divergence (mrad, full angle)	<1.2
Beam Dimensions (mm, 1/e ²)	1.5
Transverse Mode	TEM00
Longitudinal Modes	Multiple
Operating Temperature Range (°C)	15 to 35
Storage Temperature Range (°C)	-10 to 50
Total Power Consumption (W)	2
Max. Power Input Duty Cycle	90 sec. on/20 sec. off
Cooling Method	Passive Air
Standard Warranty (months)	6
MTTF (operational hours)	5000
Weight of Product or Laser Head (kg)	0.04
Dimensions of Product or Laser Head (mm)	136 (l) x 13 (d)
Power Supply	2 x AAA Batteries

CW: All specifications are based on performance at full output power and after the specified warmup period. Output characteristics may change if the laser is run at a different power level.
 Q-Switched: Specifications are based on the laser pulsing at the specified design frequency. Output characteristics may change if the laser is run at a different frequency.

REGULATORY CLASSIFICATION

The model you have selected (GAN005XXX) requires the following safety label(s):



DIMENSIONAL DRAWING - LASER FORM FACTOR: GAN

FOR MORE INFORMATION PLEASE CONTACT

LASERGLLOW TECHNOLOGIES
 99 Ingram Dr. Unit B, North York, ON, Canada M6M2L7
 Tel. (416) 729-7976 Fax (716) 322-3510
 sales@laserglow.com www.laserglow.com

E&OE: Data included in this sheet may be subject to change without notice.
 Please confirm critical specifications with our staff prior to ordering.